



SFP 512

Conventional Fire Alarm and Extinguishing Panel
EN 54-2, EN 54-4 and EN 12094-1

SFP 512

Product Features

- Easy handling
- 4 zone conventional fire alarm panel
- Expandable up to max. 12 detection zones
- Optional extinguishing module
- Optional relay output module 4 or 12 relays
- SecuriStar optical and heat detectors
- Up to 32 detectors and 2500m per line
- Complies with EN 54-2 and EN 54-4
- Complies with EN 12094-1
- Languages: English, Italian, Spanish, Portuguese, NL
- Power Supply 230V/50Hz < 75W
- Batteries 2x7.2 Ah, max 0.95 A



Inputs & Outputs main card

Inputs

- 1 Programmable monitored input (3 options)
 - External reset
 - Monitoring of external power supply activation of the “Power Supply Fault” LED
 - Evacuation → activation of the sounders line

Outputs

- 24VDC / 400 mA
- 1 General Alarm Relay Output
- 1 General Fault Relay Output
- 1 Open collector output for each zone (alarm)
- 1 Monitored sounder line

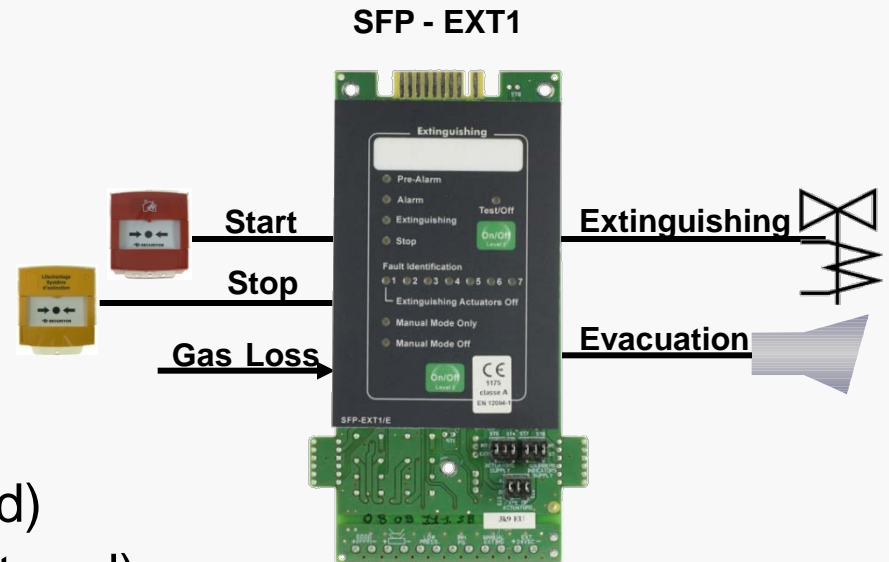
Inputs & Outputs Extinguishing card

Inputs:

- Manual Extinguishing Trigger
- Manual Extinguishing Stop
- Gas loss (monitored)

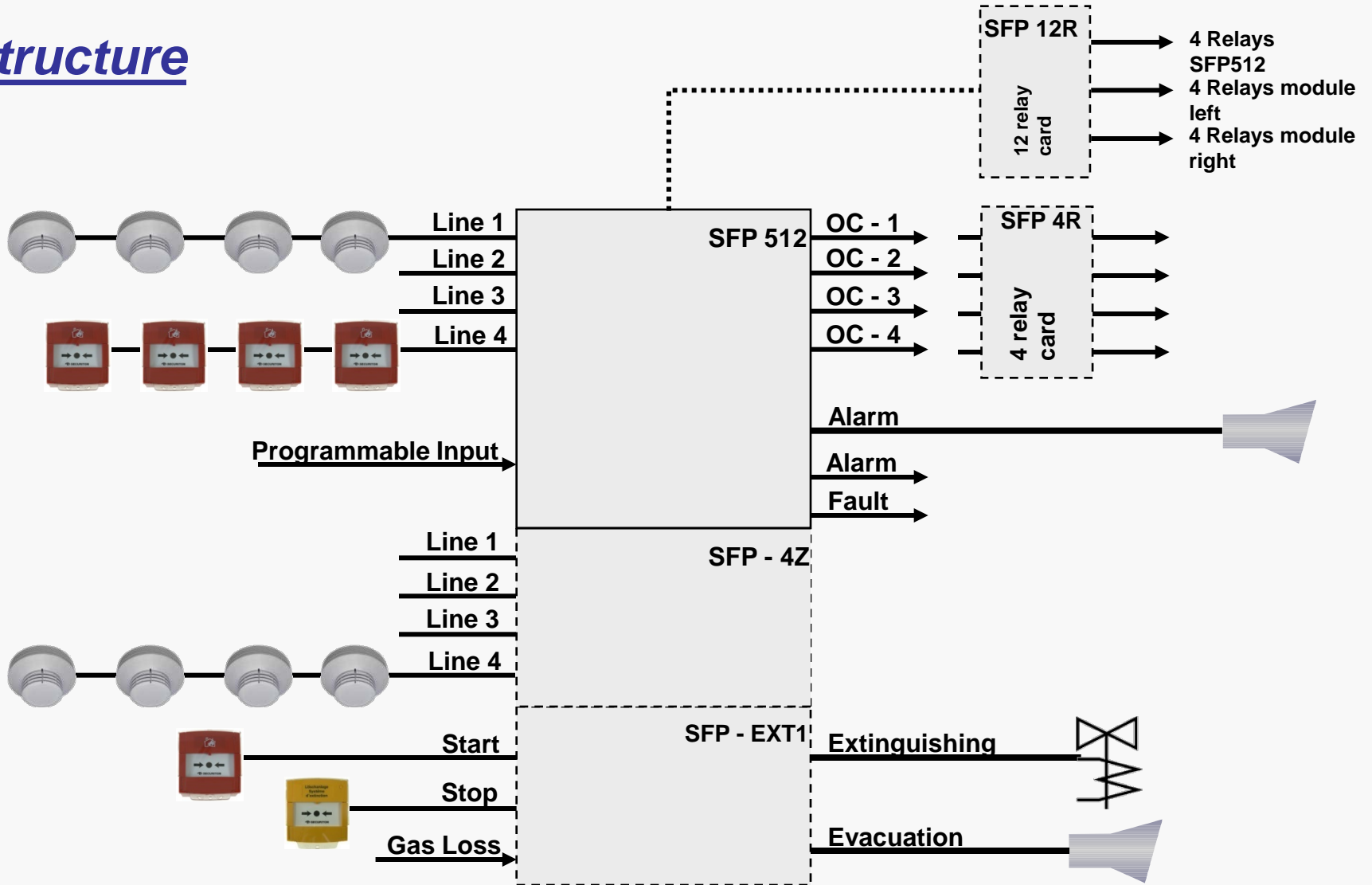
Outputs:

- Extinguishing Valve (monitored)
- Sounder for Evacuation (monitored)



SFP 512

Structure



Extension Modules:

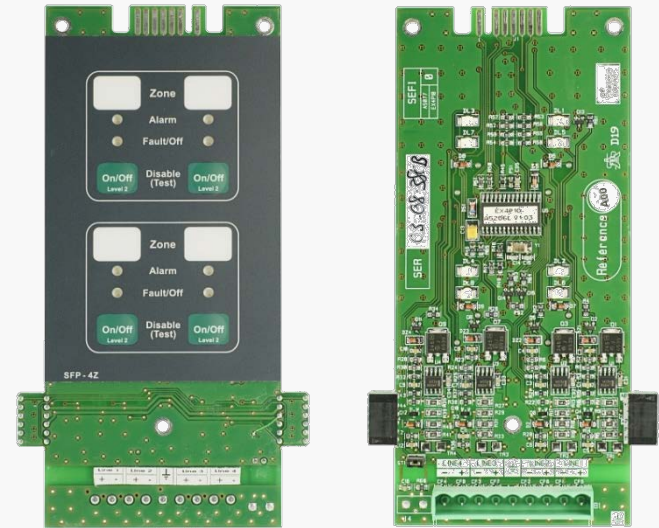
<u>Panel configuration</u>	<u>Modules</u>
➤ 4 fire alarm lines	SFP512
➤ 8 fire alarm lines	SFP512 + 4Z
➤ 12 fire alarm lines	SFP512 + 4Z + 4Z
➤ 4 fire alarm lines + 1 extinguishing zone	SFP512 + Ext1
➤ 4 fire alarm lines + 2 extinguishing zones	SFP512 + Ext1 + Ext1
➤ 8 fire alarm lines + 1 extinguishing zones	SFP512 + 4Z + Ext1
➤ All the above configuration can be equipped additionally with a relay card:	4R or 12R

Extension Modules:

Fire line extension

- 4 zone detection
- Easy to mount
- Easy handling

SFP - 4Z



Extinguishing

- 1 extinguishing zone
- Easy to mount
- Easy handling

SFP - EXT1



Extension Modules:

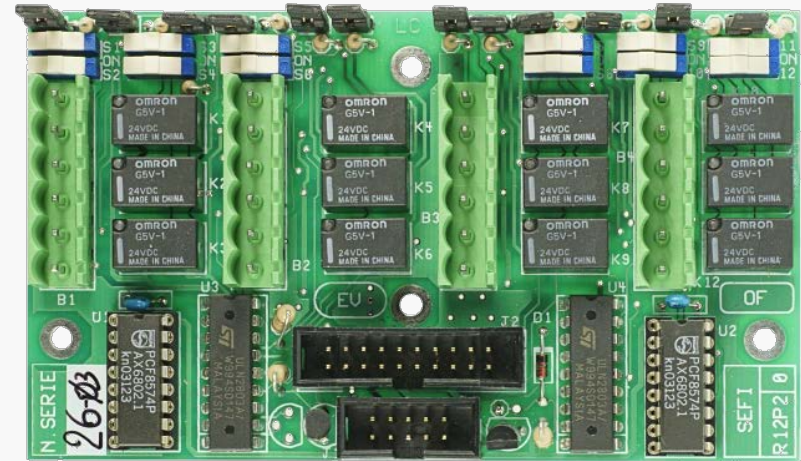
12 relay card

- Fixed signal on each relay
- Switch over contacts 30V DC
- For fire alarm cards: Alarm 1-4
- For extinguishing cards:
 - Extinguishing actuator active
 - Evacuation status
 - Inhibition status
 - Manual mode

4 relay card

- Routing of the open collector outputs to relay
- Switch over contacts 230V

SFP – 12R



SFP – 4R



Certification:



(sbl/vzw)

Parc Scientifique Fleming - Granbompré 1
B-1348 Louvain-la-Neuve - BELGIUM
Tel : 32 2 234 36 10 Fax: 32 2 234 36 17

Email : cert@anpi.be

EC-CERTIFICATE OF CONFORMITY

1134 - CPD - 060

In compliance with the Directive 89/103/EEC of the Council of European Communities of 21 December 1988 on the approximation of laws, regulations and administrative provisions of the Member States relating to the construction products (Construction Products Directive - CPD), amended by the Directive 93/68/EEC of the Council of European Communities of 22 July 1993, it has been stated that the construction product

Control and Indicating Equipment
Electrical Automatic Control and Delay Device
Environmental Class A

SECURITON SFP 512

(Extinguishing panel for 1 flooding zone)
With integrated Power Supply Equipment

Fixed fire fighting systems – Fire Detection and Fire alarm Systems
Fixed fire fighting systems – Components for gas extinguishing systems

placed on the market by

SECURITON AG
Head Office - Alpenstrasse 20
CH-3052 ZOLLIKOFEN/BERN
SCHWEIZ

and produced in the factory

SEFI S.A.S
Rue RENE CASSIN BP90817
F-45308 PITHIVIERS
FRANCE

is submitted by the manufacturer to a factory production control and to the further testing of samples taken at the factory in accordance with a prescribed test plan and that the approved body **ANPI** has performed the initial type-testing for the relevant characteristics of the product, the initial inspection of the factory and of the factory production control and performs the continuous surveillance, assessment and approval of the factory production control.

This certificate attests that all provisions concerning the attestation of conformity and the performances described in Annex ZA of the standard (resp. in)

EN 54-2: 1997/A1: 2006
EN 54-4: 1997/A1: 2002 + A2: 2006
EN 12094-1:2003

were applied and that the product fulfils all the prescribed requirements.

This certificate was first issued on **26-07-2007** and remains valid as long as the conditions laid down in the harmonised technical specification in reference or the manufacturing conditions in the factory or the FPC itself are not modified significantly and latest on **25-07-2011**

Brussels, the 11th of March, 2010


Ing. M. VANDENDOREN
Secretary General of ANPI

This certificate and the annex may only be copied completely and without any editing