

Conventional Fire Alarm Control Panel SFP 512

Product features

- 4 Zones Conventional Fire Alarm Control Panel
- Expandable to max. 12 zones
- Complies with EN 54-2 and EN 54-4
- In different languages available

Extension modules

- 4 Zone Detection Module
- 1 Zone Extinguishing Module (EN 12094-1)
- 4 Relay Output Module (5A/230 V)



The SFP 512 is a microprocessor controlled compact modular control unit for fire detection systems. Easy to use and to install, this panel represents one of the best solutions to detect a fire in small installations.

Description

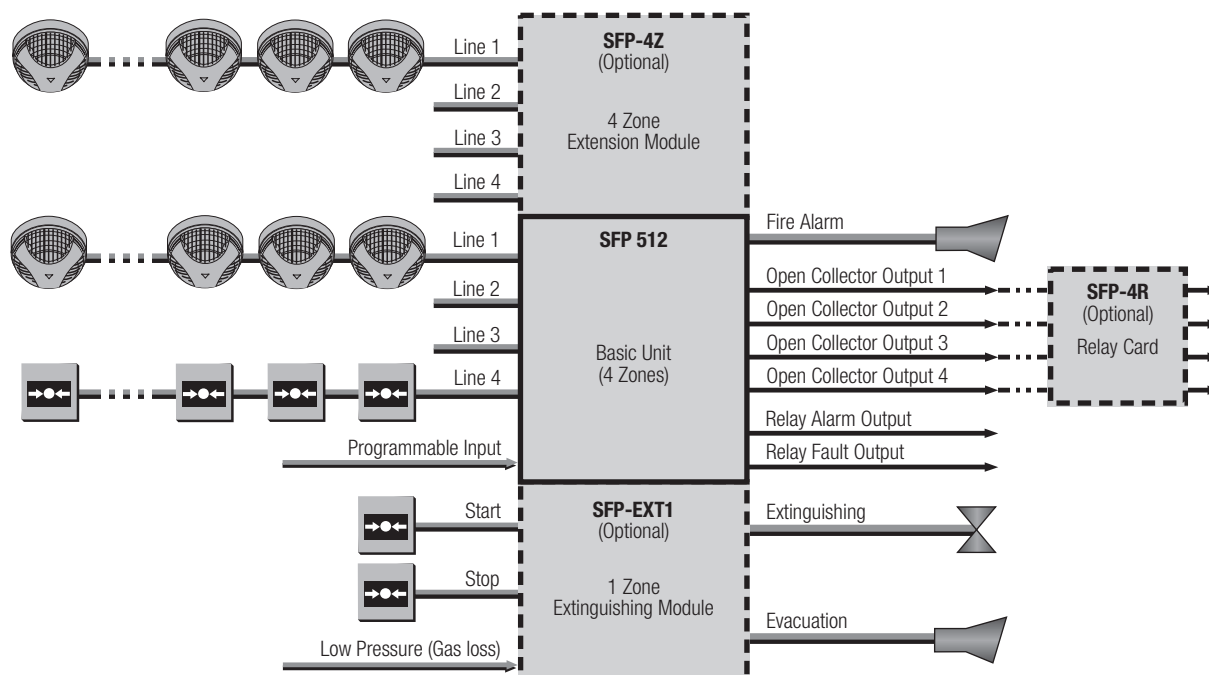
Securiton's new conventional fire alarm control panel SFP 512 is designed for small installations of fire detection systems. The SFP 512 fire alarm control panel complies with the EN 54-2, EN 54-4, and EN 12094-1 standards.

The basic unit features four conventional detection lines and a full fire alarm control panel functionality. The detection zones are expanded to eight or twelve zones, by connecting one or two additional four-zone detection module to the basic SFP 512 unit. Alternatively, the SFP 512 can drive one extinguishing zone with a maximum of eight detection zones at the same time.

The SFP 512 fire alarm control panel is able to run Securiton's conventional detectors. Each line can monitor up to 32 conventional detectors per line. In case of fire alarm, the 1st and 2nd alarm can be distinguished within one detection zone and separately indicated. The four relay output module can be used to activate or deactivate power signals with up to 230 V/5A.

The SFP 512 fire alarm control panel is available with different front panel operation languages. The technical documentation is included on a CD-ROM in various languages.

Architecture SFP 512



Technical data SFP 512

Housing dimensions (W × H × D)	370 mm × 300 mm × 118 mm
Weight	2 kg (without batteries)
Protection class	IP 31
Ambient operating temperature	-10 °C to +50 °C
Mains voltage and consumption	230 V _{AC} , 50–60 Hz, < 75 W
Compliance	EN 54-2 and EN 54-4
Number of detector lines	4/8/12
Number of detectors per line	max. 32
Relay outputs	General alarm and fault, switch over contacts 1 A/30 V _{DC}
Open collector outputs	4 outputs 100 mA/50 V _{DC}
Output «24 V _{DC} Supply»	Power output protected with polyswitch, 24 V _{DC} 400 mA
Input	1 monitored input
Sounders line output	1 monitored output, 24 V _{DC} , max. 450 mA
Maximum battery dimension	2 lead-acid batteries, 12 V/7.2 Ah
Colour	Black RAL 7035

Technical data extinguishing module EXT-1

Type of actuator: Solenoid; Internal power supply	24 V per 30 s; I _{max} = 600 mA
External power supply	24 V per 30 s; I _{max} = 2 A
Type of actuator: Pyroelectric; Internal power supply	1 A per 2 s
External power supply	1 A per 2 s
Sounders line output	1 monitored output, 24 V _{DC} , max. 450 mA
Compliance	EN 12094-1

Technical data 4 relay module

Relay outputs	4 potential free, switch over contacts, 230 V _{AC} /5A
---------------	---

Product summary SFP 512

Fire alarm panel (without batteries)		Part No.
SFP 512 I	Small Fire Panel, 4 Zones, Italian Version, EN 54	VE610001
SFP 512 E	Small Fire Panel, 4 Zones, English Version, EN 54	VE610002
SFP 512 S	Small Fire Panel, 4 Zones, Spanish Version, EN 54	VE610003
SFP 512 P	Small Fire Panel, 4 Zones, Portuguese Version, EN 54	VE610004

Extension modules

SFP-4R	4 Relay Output Module	VE610021
SFP-4Z I	Extension Board, 4 Zones, Italian Version	VE610011
SFP-4Z E	Extension Board, 4 Zones, English Version	VE610012
SFP-4Z S	Extension Board, 4 Zones, Spanish Version	VE610013
SFP-4Z P	Extension Board, 4 Zones, Portuguese Version	VE610014
SFP-EXT1 I	Extinguishing Zone Board, Italian Version	VE610031
SFP-EXT1 E	Extinguishing Zone Board, English Version	VE610032
SFP-EXT1 S	Extinguishing Zone Board, Spanish Version	VE610033
SFP-EXT1 P	Extinguishing Zone Board, Portuguese Version	VE610034

Conventional detectors

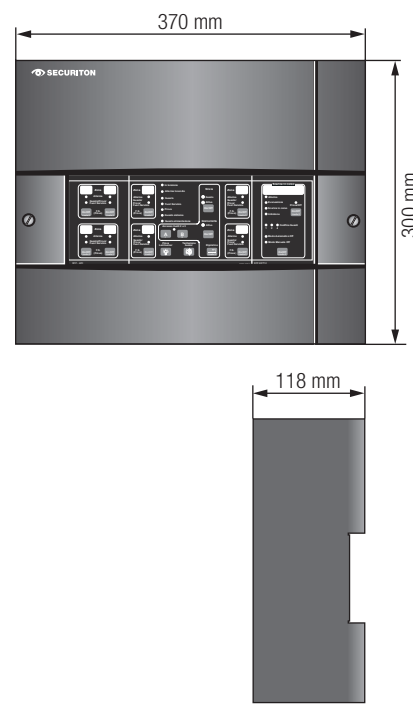
SSD 521	Scattered Light Smoke Detector	5000545-0001
UTD 521	Universal Temperature Detector, Class A1	5100153-0001
UTD 521-2	Universal Temperature Detector, Class A2	5100153-0002
UTD 521-3	Universal Temperature Detector, Class B	5100153-0003
FT 513	Manual Call Point, red, IP 44, surface mount	6200072

Detector sockets (for all SSD and UTD detectors)

USB 501-1	Surface mounting socket	5000547-0001
USB 501-2	Socket for flush mounting in hollow or lowered ceilings	5000547-0002
USB 501-3	Mounting socket for humid areas	5000547-0003
USB 501-4	Socket for flush mounting in concrete ceilings	5000547-0004

Specifications subject to change without notice. Delivery subject to availability.

Dimensions SFP 512



4 Zone Detection Module SFP-4Z

